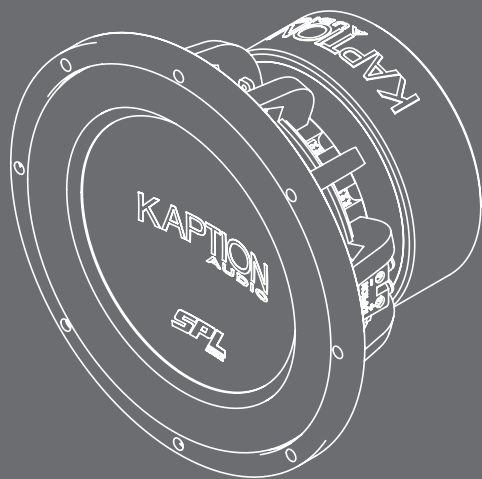


# KAPTION AUDIO

## SPLMAX Owner's Manual

570-SPLMAX12D2V3

570-SPLMAX12D4V3



## **Introduction:**

Congratulations on your new purchase of Kaption Audio loudspeakers. These loudspeakers are engineered to reproduce music that is so detailed, you will hear music in a whole new dimension. State of the art technology, rigorous testing, superior materials, innovative design and painstaking quality control; all of these factors make for a truly superior product.

For the best performance we recommend you have an authorized Kaption Audio dealer install your product.

KAPTION AUDIO LOUDSPEAKERS COME WITH A ONE-YEAR PARTS AND LABOUR LIMITED WARRANTY.

## **Design Features:**

- **12 Spoke Cast Aluminum Basket**
- **180 oz Double Stack Magnet**
- **3.2 inch Voice Coil on Aluminum former**
- **Dual 2 ohm and Dual 4 ohm Voice Coils available**
- **High roll foam surround**

### **CAUTION**

**EXTENDED EXPOSURE TO SOUND PRESSURE LEVELS OVER 100DB MAY RESULT IN TEMPORARY OR PERMANENT HEARING LOSS. EXERCISE CAUTION TO PREVENT DAMAGE TO HEARING.**

**KAPTION AUDIO ACCEPTS NO LIABILITY FOR ANY DAMAGED OR PERMANENT HEARING LOSS.**

## **Limited Warranty Information:**

Kaption Audio loudspeakers have a one-year limited warranty. This warranty covers the original purchaser of a Kaption Audio speaker, purchased from an authorized Kaption Audio dealer.

In order to receive service, proof of purchase is required stating the customers name, dealer name, product purchased and date of purchase.

Products found to be defective during the warranty period will be repaired or replaced with a product deemed to be equivalent at Kaption Audio's discretion.

### **What is not covered**

1. Any product not purchased from an authorized Kaption Audio dealer.
2. Any expense related to the removal, re-installation or shipment of any Kaption Audio products.
3. Any Kaption Audio product that has been defaced or altered.
4. Subsequent damage to other components.
5. Damage caused by accident, abuse, improper operation, water and theft.
6. Burnt voice coils due to amplifier clipping or distortion.
7. Repeated returns with the same damaged may be considered abuse.

### **How to obtain service**

To obtain service on a Kaption Audio product, Please return product along with original receipt to an authorized Kaption Audio dealer or call 1-866-KAPTION (527-8466)

## **Specifications**

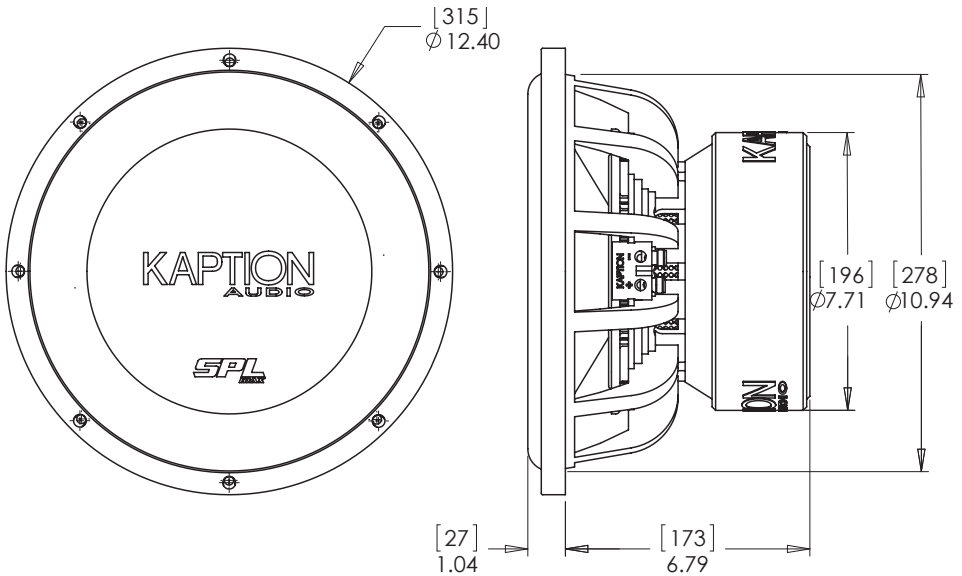
Model	SPLMAX12D2	SPLMAX12D4
Speaker size	12"	12"
Sensitivity (1w/1m)	90	90
Power Handling (RMS/Peak)	1000 / 2000	1000 / 2000
Impedance	Dual 2 ohm	Dual 4 ohm
Voice Coil Diameter (inches)	3.2	3.2
Mounting Depth (inches)	6.79"	6.79"
Magnet Weight	180 oz	180 oz

## **Thiele-Small Parameters**

Model	SPLMAX12D2	SPLMAX12D4
Fs (Hz)	40	40
Qts	0.32	0.38
Qms	5.2	5.3
Qes	0.39	0.41
Res (ohms)	3.8	7.5
Xmax (mm)	24	24
Vas (liters)	38.7	32.1
Mms (g)	165.3	199.1
Cms (uM/N)	96.6	80.2
BL (T*M)	20.2	30.1
Impedance	Dual 2 ohm	Dual 4 ohm

Specifications subject to change without notice

## Diagram



## Recommended Enclosures

When building a sealed or ported enclosure, the most important thing to remember is that the enclosure should be airtight. You can seal all the seams with glue or any type of sealant. This should prevent any air leaks. The seams should also be nailed with finishing nails to add extra durability. We recommend you use  $\frac{3}{4}$  inch MDF (Medium Density Fiberboard) when building any enclosure.

Remember to account for all sources of volume displacements (i.e. speaker, braces and/or ports) when calculating box size.

## **Calculating Enclosure Volume**

$$\frac{\text{Height x Width x Depth}}{\text{(Internal Dimensions Inches)}} = \text{Volume in cubic feet}$$

1728

### Box Recommendations

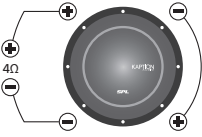
Ported Enclosure	SPLMAX
Musical	1.6
Port (inches)	4 x 12

## **Wiring configurations**

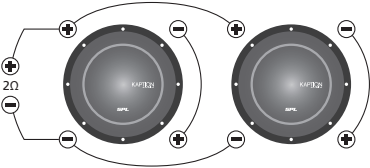
You can create an impedance load to best suit your application. You can choose to run your system in series, parallel or series-parallel to achieve the load that is suitable for your amplifier. Below is a diagram to show you different types of loads.

## 2Ω Dual Voice Coil Speakers

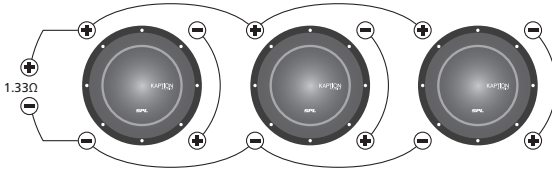
2Ω (ohm) DVC Speaker = 4Ω Load



2Ω (ohm) DVC Speaker = 2Ω Load

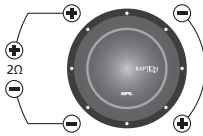


2Ω (ohm) DVC Speaker = 1.33Ω Load

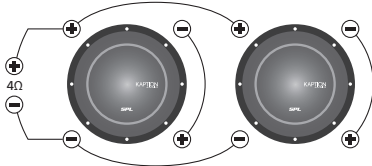


## 4Ω Dual Voice Coil Speakers

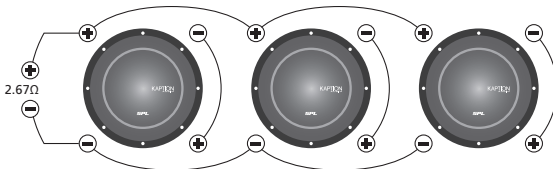
4Ω (ohm) DVC Speaker = 2Ω Load



4Ω (ohm) DVC Speaker = 4Ω Load



4Ω (ohm) DVC Speaker = 2.67Ω Load



**Kaption Audio**

95 Cousins Drive  
Aurora, Ontario  
Canada, L4G 1B5

[www.KAPTIONAUDIO.com](http://www.KAPTIONAUDIO.com)  
866-Kaption (527-8466)