

A

B

C

D

E

F

1

2

3

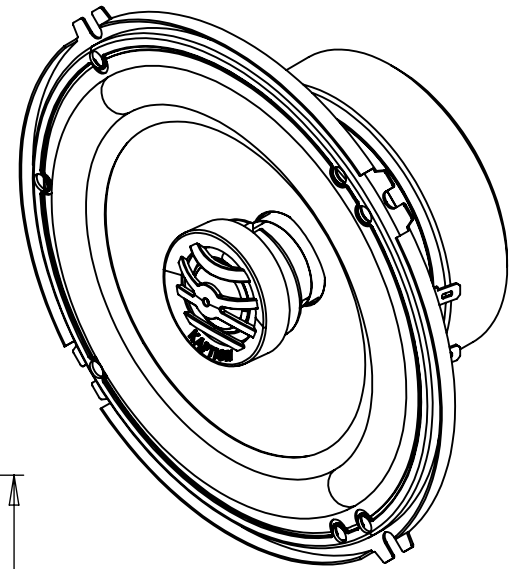
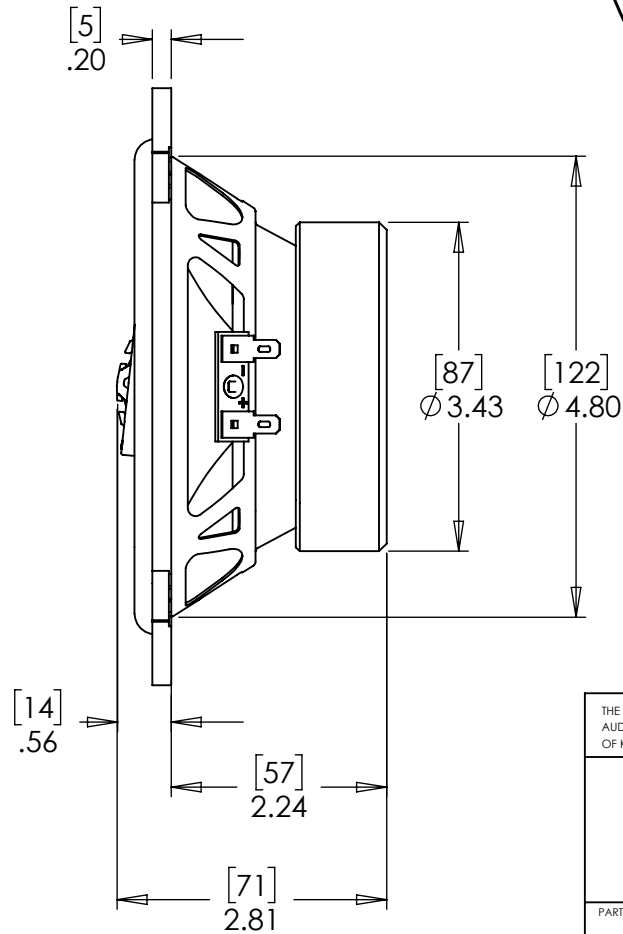
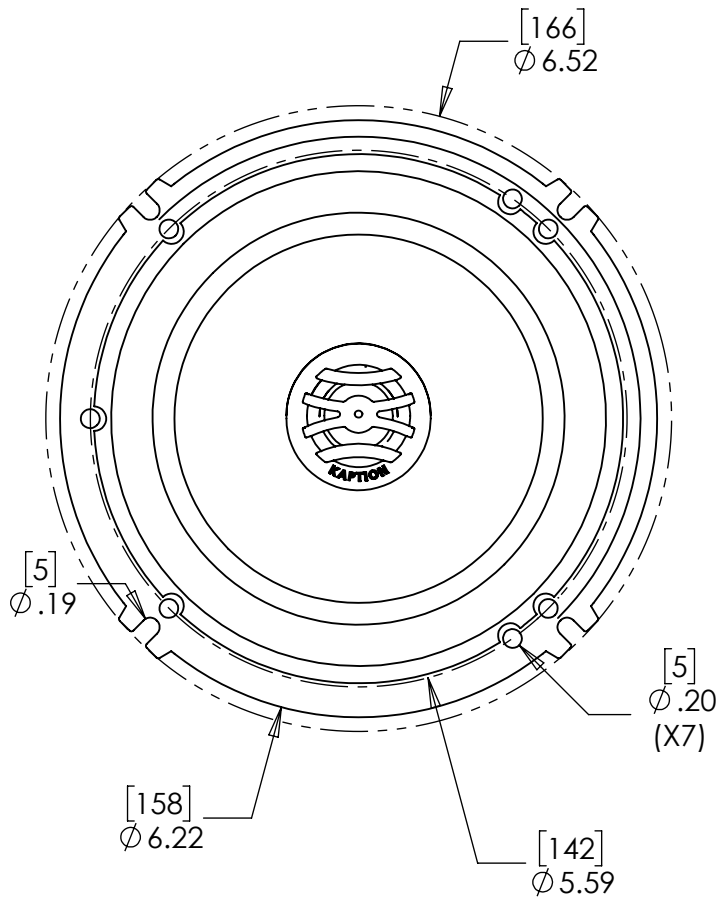
4

1

2

3

4



NOTES:

1. - ALL DIMENSIONS ARE IN INCHES [MILLIMETERS]
2. - MATERIAL: PLASTIC/METAL
3. - FINISH: BLACK

THE INFORMATION CONTAINED IN THIS DRAWING IS THE SOLE PROPERTY OF KAPTION AUDIO. ANY REPRODUCTION IN PART OR AS A WHOLE WITHOUT THE WRITTEN PERMISSION OF KAPTION AUDIO IS PROHIBITED.

KAPTION
AUDIO

KAPTION AUDIO
KAPTIONAUDIO.COM
866-527-8466

PART NAME

6.5IN COAXIAL SPEAKER

MATERIAL

PLASTIC/METAL

DRAWING NO.

570-SQL622X-CUST

REVISION NO.

DATE 5/11/2015

SCALE 1:2

THIRD ANGLE
PROJECTION DRAWING

ALL DIMENSIONS WITHOUT TOLERANCES ARE REFERENCE

SPECIFICATION SUBJECT TO CHANGE WITHOUT NOTICE

A

A

B

C

D

E

F

A

B

C

D

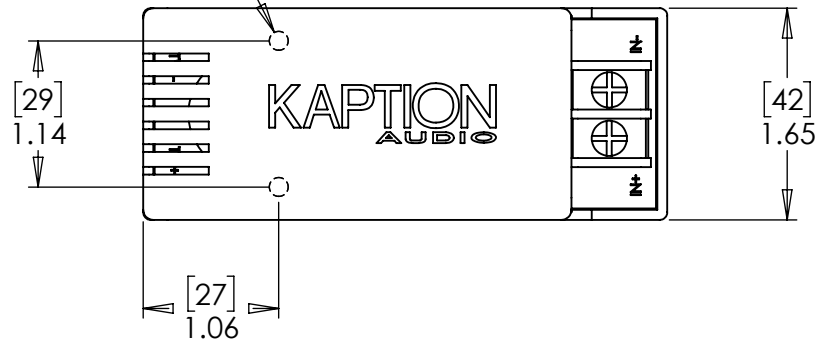
E

F

1

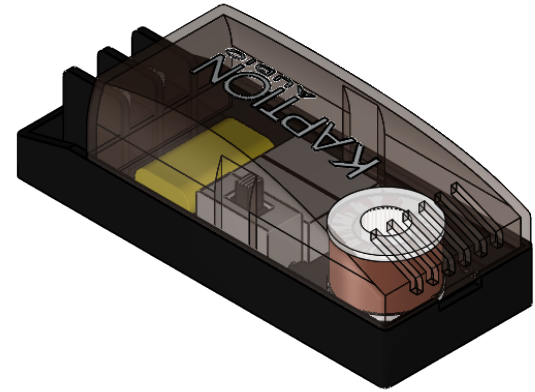
1

[4]
 $\varnothing .15$
 MOUNTING HOLES



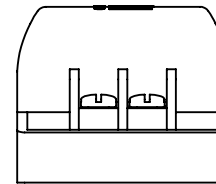
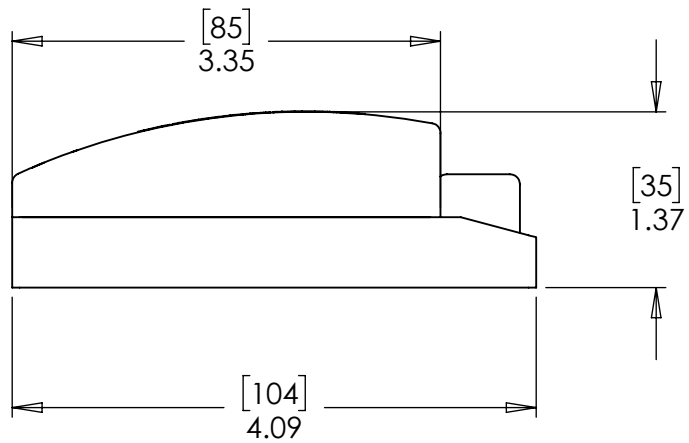
2

2



3

3



4

4

NOTES:

1. - ALL DIMENSIONS ARE IN INCHES [MILLIMETERS]
2. - MATERIAL: PLASTIC
3. - FINISH: BLACK/TRANSPARENT

THE INFORMATION CONTAINED IN THIS DRAWING IS THE SOLE PROPERTY OF KAPTION AUDIO. ANY REPRODUCTION IN PART OR AS A WHOLE WITHOUT THE WRITTEN PERMISSION OF KAPTION AUDIO IS PROHIBITED.

KAPTION
 AUDIO

KAPTION AUDIO
 KAPTIONAUDIO.COM
 866-527-8466

PART NAME

SQL EXTERNAL CROSSOVER

MATERIAL

PLASTIC

DRAWING NO.

570-SQL622X-CUST

REVISION NO.

DATE 5/11/2015

SCALE 2:3

THIRD ANGLE
 PROJECTION DRAWING

ALL DIMENSIONS WITHOUT TOLERANCES ARE REFERENCE

SPECIFICATION SUBJECT TO CHANGE WITHOUT NOTICE

A

A

B

C

D

E

F