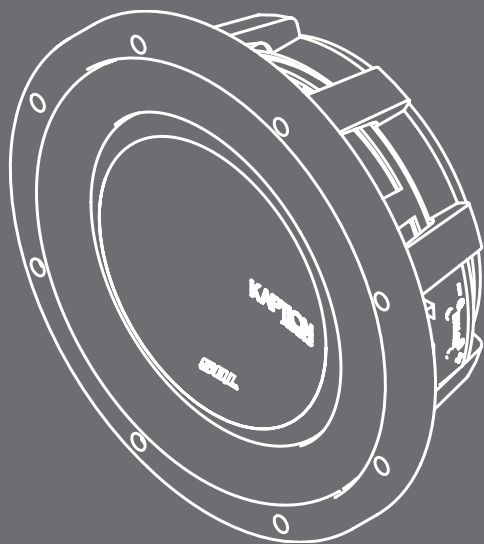


KAPTION AUDIO

SQLFW Flat Woofer Owner's Manual

570-SQLFW10D2
570-SQLFW10D4



Introduction:

Congratulations on your new purchase of Kaption Audio loudspeakers. These loudspeakers are engineered to reproduce music that is so detailed, you will hear music in a whole new dimension. State of the art technology, rigorous testing, superior materials, innovative design and painstaking quality control; all of these factors make for a truly superior product.

For the best performance we recommend you have an authorized Kaption Audio dealer install your product.

KAPTION AUDIO LOUDSPEAKERS COME WITH A ONE-YEAR PARTS AND LABOUR LIMITED WARRANTY.

Design Features:

- **Shallow Mounting Depth**
- **Small Enclosure Fitment**
- **400Watts RMS / 800Watts Peak Power**
- **Dual 2 ohm and Dual 4 ohm Voice Coils available**

CAUTION

EXTENDED EXPOSURE TO SOUND PRESSURE LEVELS OVER 100dB MAY RESULT IN TEMPORARY OR PERMANENT HEARING LOSS. EXERCISE CAUTION TO PREVENT DAMAGE TO HEARING.

KAPTION AUDIO ACCEPTS NO LIABILITY FOR ANY DAMAGED OR PERMANENT HEARING LOSS.

Limited Warranty Information:

Kaption Audio loudspeakers have a one-year limited warranty. This warranty covers the original purchaser of a Kaption Audio speaker, purchased from an authorized Kaption Audio dealer.

In order to receive service, proof of purchase is required stating the customers name, dealer name, product purchased and date of purchase.

Products found to be defective during the warranty period will be repaired or replaced with a product deemed to be equivalent at Kaption Audio's discretion.

What is not covered

1. Any product not purchased from an authorized Kaption Audio dealer.
2. Any expense related to the removal, re-installation or shipment of any Kaption Audio products.
3. Any Kaption Audio product that has been defaced or altered.
4. Subsequent damage to other components.
5. Damage caused by accident, abuse, improper operation, water and theft.
6. Burnt voice coils due to amplifier clipping or distortion.
7. Repeated returns with the same damaged may be considered abuse.

How to obtain service

To obtain service on a Kaption Audio product, Please return product along with original receipt to an authorized Kaption Audio dealer or call 1-866-KAPTION (527-8466)

Specifications

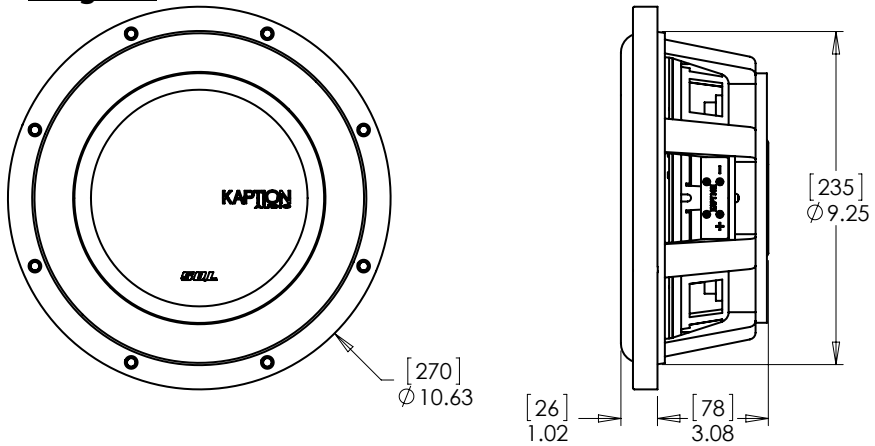
Model	570-SQLFW10D2	570-SQLFW10D4
Speaker size	10"	10"
Sensitivity (1w/1m)	85	85
Power Handling (RMS/Peak)	400 / 800	400 / 800
Impedance	Dual 2 ohm	Dual 4 ohm
Voice Coil Diameter (inches)	2.8"	2.8"
Overall Diameter	10.63"	10.63"
Mounting Diameter	9.3"	9.3"
Mounting Depth (inches)	3.08"	3.08"
Magnet Weight	83 oz	83 oz

Thiele-Small Parameters

Model	570-SQLFW10D2	570-SQLFW10D4
Fs (Hz)	44	45
Qts	0.56	0.57
Qms	3.92	4.46
Qes	0.65	0.65
Res (ohms)	7.2	7.2
Vas (liters)	14.46	13.95
Mms (g)	140.5	143.7
Cms (uM/N)	91.2	88.4
BL (T*M)	14.7	21.2
Impedance	Dual 2 ohm	Dual 4 ohm

Specifications subject to change without notice

Diagram



Recommended Enclosures

When building an enclosure, the most important thing to remember is that the enclosure should be airtight. You can seal all the seams with glue or any type of sealant. This should prevent any air leaks. The seams should also be nailed with finishing nails to add extra durability. We recommend you use $\frac{3}{4}$ inch MDF (Medium Density Fiberboard) when building any enclosure.

Remember to account for all sources of volume displacements (i.e. speaker, braces and/or ports) when calculating box size.

Calculating Enclosure Volume

$$\frac{\text{Height} \times \text{Width} \times \text{Depth}}{\text{(Internal Dimensions Inches)}} \times 1728 = \text{Volume in cubic feet}$$

Box Recommendations

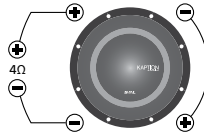
Sealed Enclosure	
Musical	0.45 cubic feet

Wiring configurations

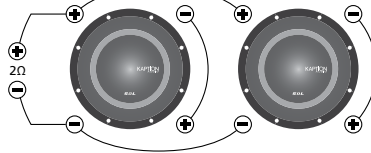
You can create an impedance load to best suit your application. You can choose to run your system in series, parallel or series-parallel to achieve the load that is suitable for your amplifier. Below is a diagram to show you different types of loads.

2Ω Dual Voice Coil Speakers

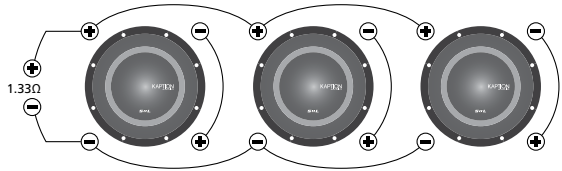
2Ω (ohm) DVC Speaker = 4Ω Load



2Ω (ohm) DVC Speaker = 2Ω Load

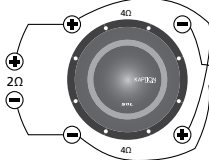


2Ω (ohm) DVC Speaker = 1.33Ω Load

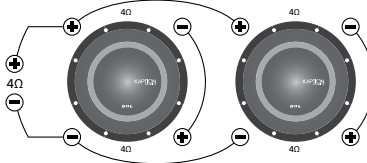


4Ω Dual Voice Coil Speakers

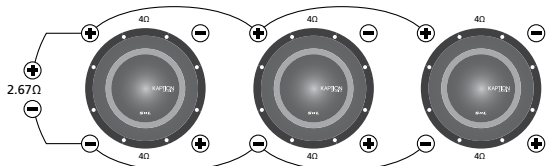
4Ω (ohm) DVC Speaker = 2Ω Load



4Ω (ohm) DVC Speaker = 4Ω Load



4Ω (ohm) DVC Speaker = 2.67Ω Load



KAPTION
AUDIO

10" FLAT WOOFER

 570-SQLFW10D2 570-SQLFW10D4**Warranty registration card**

Name: _____

Street: _____

City: _____

Province / State: _____

Country: _____

Postal / Zip code: _____

Phone: _____

Email: _____

Model Number: _____

Serial Number: _____

Authorized

Kaption Audio dealer: _____

Purchase Date: _____

Limited Warranty Information:**KAPTION AUDIO PRODUCTS COME WITH A ONE-YEAR PARTS AND LABOUR LIMITED WARRANTY.**

This warranty covers the original purchaser of a Kaption Audio product, purchased from an authorized Kaption Audio dealer. In order to receive service, proof of purchase is required stating the customers name, dealer name, product purchased and date of purchase. Products found to be defective during the warranty period will be repaired or replaced with a product deemed to be equivalent at Kaption Audio's discretion.

Kaption Audio
95 Cousins Drive, Aurora, Ontario, Canada, L4G 1B5

www.kaptionaudio.com

1-866-KAPTION (527-8466)

Kaption Audio

95 Cousins Drive
Aurora, Ontario
Canada, L4G 1B5

www.KAPTIONAUDIO.com
866-Kaption (527-8466)