

A

B

C

D

E

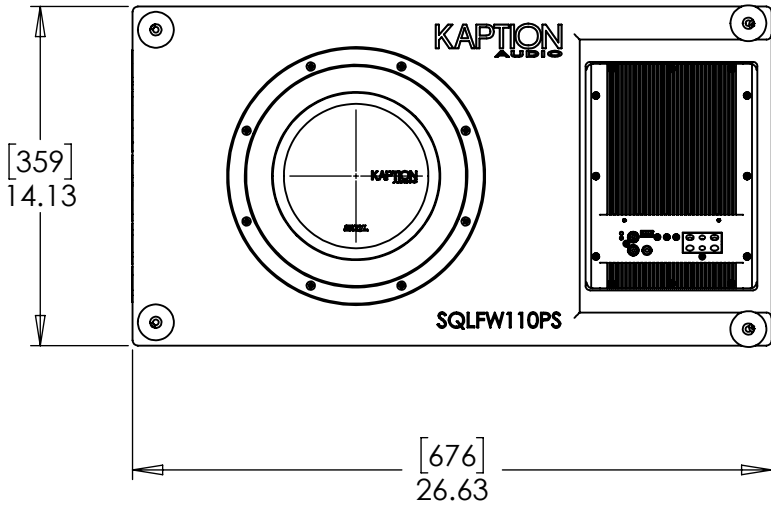
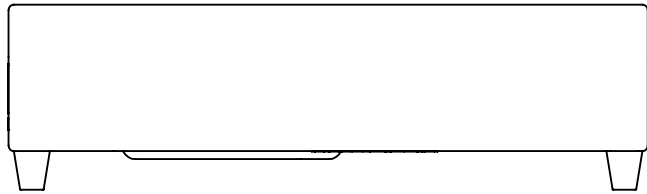
F

1

2

3

4



- NOTES:
- 1. - ALL DIMENSIONS ARE IN INCHES [MILLIMETERS]
  - 2. - MATERIAL: MDF
  - 3. - FINISH: BLACK

A

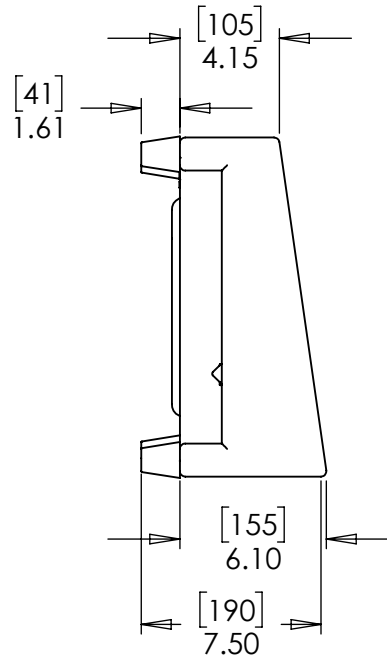
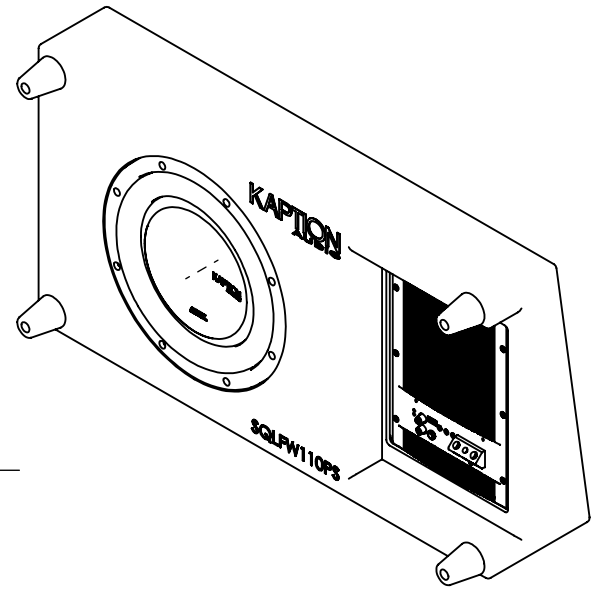
B

C

D

E

F



1

2

3

4

THE INFORMATION CONTAINED IN THIS DRAWING IS THE SOLE PROPERTY OF KAPTION AUDIO. ANY REPRODUCTION IN PART OR AS A WHOLE WITHOUT THE WRITTEN PERMISSION OF KAPTION AUDIO IS PROHIBITED.

**KAPTION**  
AUDIO

KAPTION AUDIO  
KAPTIONAUDIO.COM  
866-527-8466

PART NAME  
**SQL 10" FLAT POWERED SUB-WOOFER**

MATERIAL  
MDF

DRAWING NO. **570-SQLFW110PS-CUST** REVISION NO.

DATE 11/3/2016 SCALE 1:8 THIRD ANGLE PROJECTION DRAWING

ALL DIMENSIONS WITHOUT TOLERANCES ARE REFERENCE

SPECIFICATION SUBJECT TO CHANGE WITHOUT NOTICE

**A**