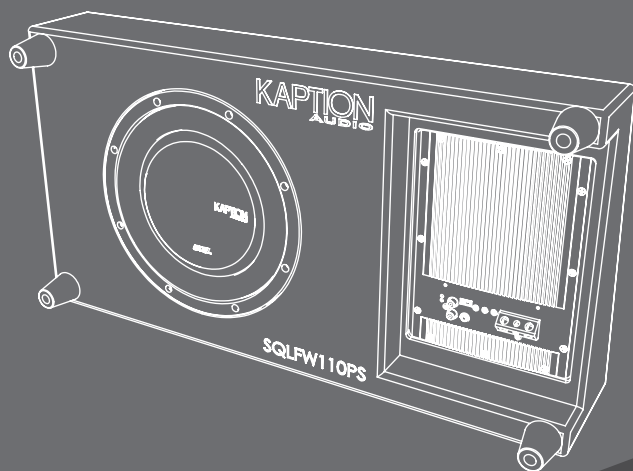


KAPTION AUDIO

SQL FLAT POWERED SUB-WOOFER Owner's Manual

570-SQLFW110PS



Congratulations

You now own a new **Kaption Audio** powered sub-woofer loudspeaker. These loudspeakers are engineered to reproduce music that is so detailed, you will hear music in a whole new dimension. State of the art technology, rigorous testing, superior materials, innovative design and painstaking quality control; all of these factors make for a truly superior product.

Features:

- **10" Powered sub-woofer**
- **RMS Power 400 Watts**
- **Peak Power 800 Watts**
- **Wired bass remote control**
- **Functions with most factory source units**
- **Performance tuned enclosure**

For maximum performance, we highly recommend you have your new sub-woofer installed by an AUTHORIZED KAPTION DEALER

If you need assistance to install the sub-woofer yourself, please consult an AUTHORIZED KAPTION DEALER. To find a dealer, contact Kaption Audio and we will provide the closest dealer to your location.

**Kaption Audio
95 Cousins Drive
Aurora, Ontario
Canada, L4G 1B5**

**www.KAPTIONAUDIO.com
(416) 525-2890**

WARNING

INVESTIGATE THE LAYOUT OF YOUR AUTOMOBILE THOROUGHLY BEFORE DRILLING OR CUTTING ANY HOLES. USE EXTREME CARE WHEN YOU WORK NEAR THE GAS TANKS, GAS OR HYDRAULIC LINES, AND ELECTRICAL WIRING. ALWAYS MAKE SURE THE SUB-WOOFER IS SECURELY MOUNTED. MOUNTING THE SUB-WOOFER SECURELY TO THE AUTOMOBILE WILL PREVENT DAMAGE TO THE CAR OR INJURY TO A PERSON, PARTICULARLY IN THE EVENT OF AN ACCIDENT.

Don't mount the sub-woofer so that the wire connections are unprotected or are subject to pinching or damage from nearby objects.

The +12 VDC power wire must be fused at the battery positive terminal connection. Before making or breaking power connections at the system power terminals, disconnect the +12V wire at the battery. Confirm your source unit and/or other equipment is turned off while connecting the input RCA jacks or speaker terminals.

If you need to replace the Sub-woofer fuses, replace it only with a fuse identical to that supplied with the system. Using a fuse of different type or rating may result in damage to this system which is not covered by the warranty.

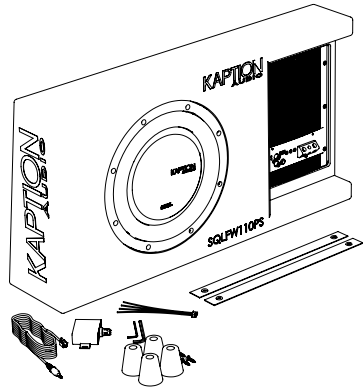
CAUTION

EXTENDED EXPOSURE TO SOUND PRESSURE LEVELS OVER **100dB** MAY RESULT IN TEMPORARY OR PERMANENT HEARING LOSS. EXERCISE CAUTION TO PREVENT DAMAGE TO HEARING.

KAPTION AUDIO ACCEPTS NO LIABILITY FOR ANY DAMAGED OR PERMANENT HEARING LOSS.

Parts List

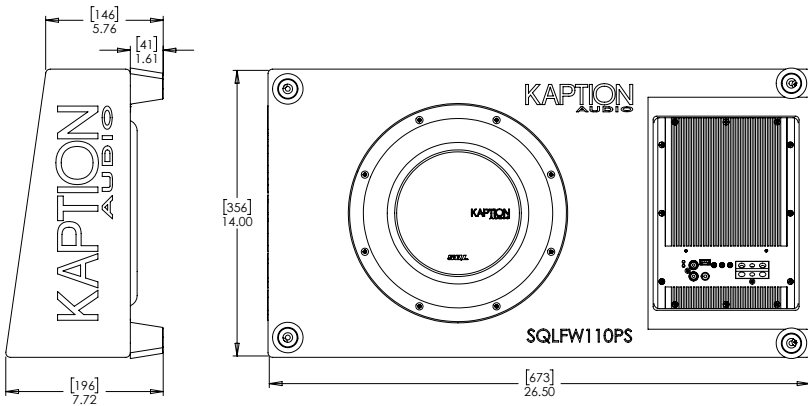
- Enclosure with sub-woofer
- Wired bass remote control
- 2 Straps
- High level-In wire harness
- 4 Feet with screws



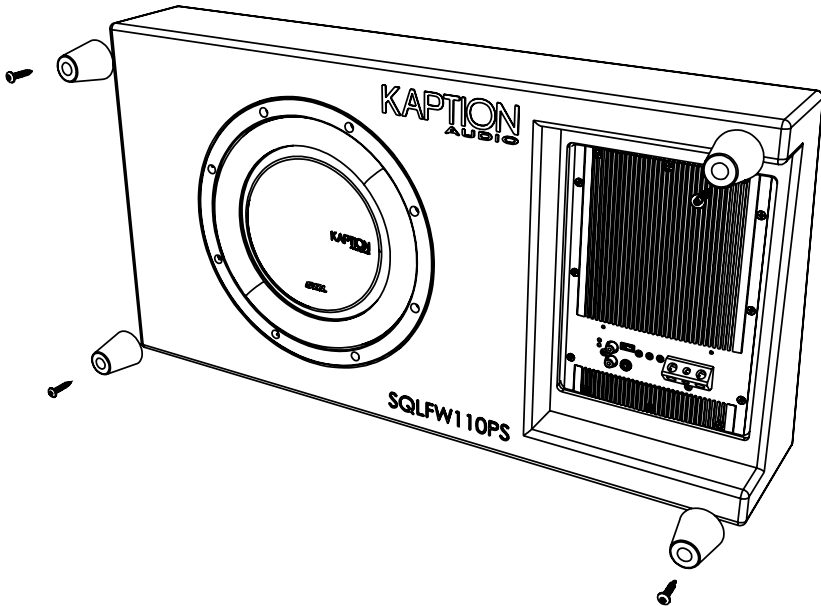
Specifications

Physical size (Measurements shown in Inches [Millimeters])

570- SQLFW110PS



Assembly

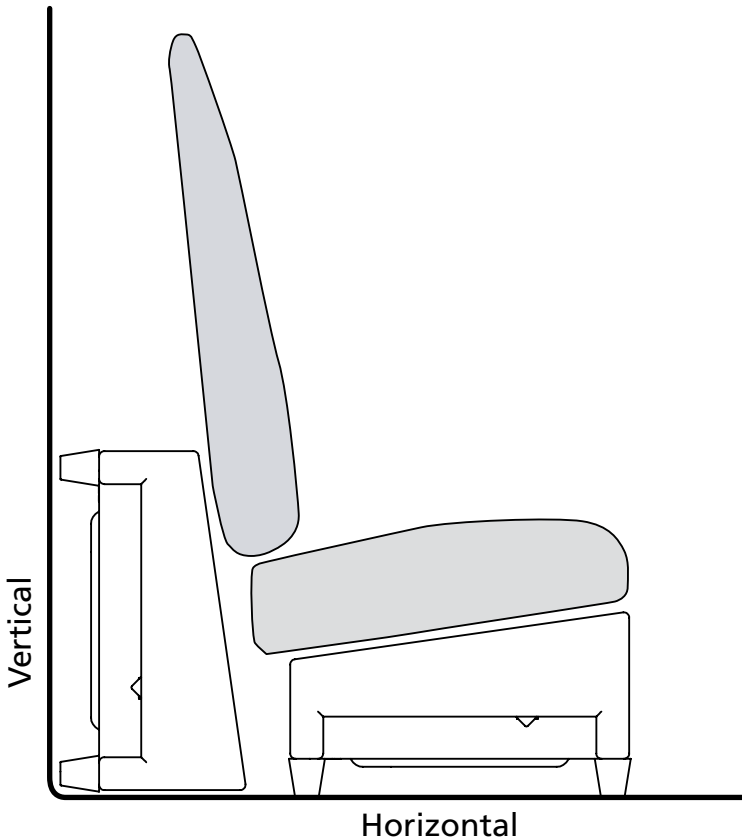


When installing the powered sub-woofer under or behind the seat in a pickup truck vehicle, the feet are required.

Using the 4 screws provided, assemble the feet onto the speaker face. The speaker enclosure has 4 pre-drilled locations in the corners to receive the feet. This will ensure you have proper clearance from the sub-floor of the vehicle and will have optimum sound .

WARNING

WARRANTY WILL NOT BE COVERED IF THIS UNIT IS NOT INSTALLED PROPERLY. PLEASE CONSULT AN AUTHORIZED DEALER

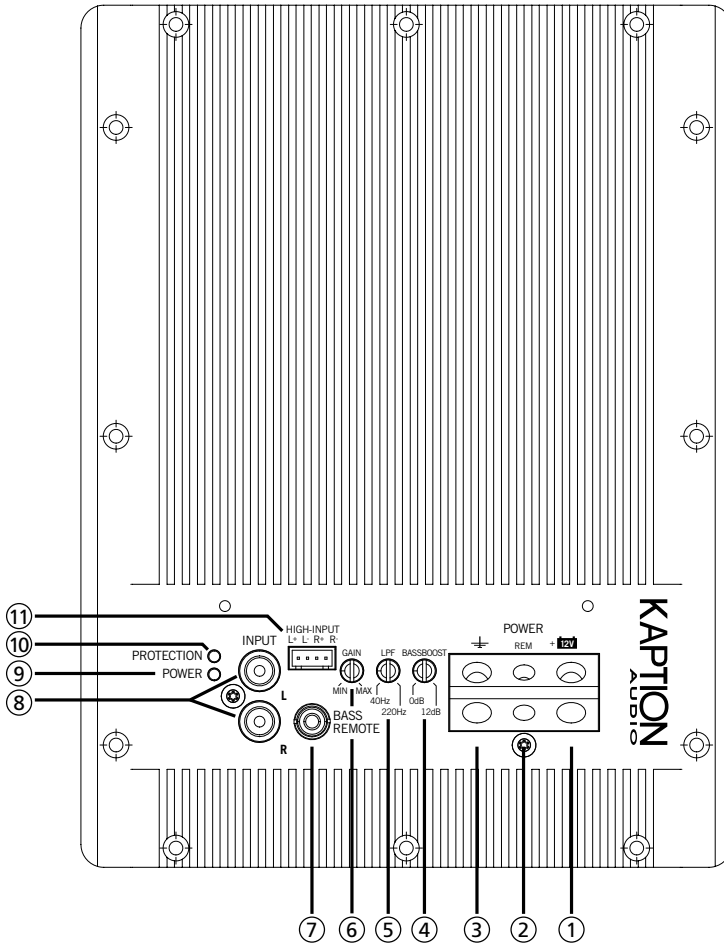


For Pickup truck installations the Sub-woofer system can be installed either horizontally under a rear passenger seat or vertically facing the rear wall of a cab.

In either installation location, the mounting feet must be used to ensure the woofer does not contact the floor or walls of the vehicle. If this unit is not installed properly severe damage can occur to the sub-woofer.

The sub-woofer system must be secured to the vehicle with the straps provided or some other means preventing any damage to the wires from vehicle motion.

Controls and wiring locations



- +12 Volt Power connection.**
Must be connected to the positive terminal on the vehicle's battery. A fuse must be connected in-line between the powered sub-woofer and the battery. See installation instruction for further details.
- REM (Remote Turn On)**
To turn the sub-woofer on/off, controlled by the source unit. This terminal must be connected to the source unit's "remote" or "electric antenna" wire or connection. (See installation section)
- GND**
The ground wire from this connection must be directly attached to bare metal on the vehicle's frame. The connection point on

the frame must be stripped of all paint to make a proper electrical connection. The distance to the ground should be as short as possible and no more than 18".

DO NOT CONNECT THE POWERED SUB-WOOFER TO
THE VEHICLE'S BATTERY GROUND TERMINAL.

4. **Bassboost**

The **Bassboost** can boost the bass frequency level by 0dB to 12dB. The boost frequency is centred at 50Hz.

5. **LPF (Low Pass Filter) Control**

The **LPF** controls the low pass crossover to select the desired frequency. The frequency can be adjusted from 40Hz to 220Hz.

6. **GAIN Control**

Use the **GAIN** Control to fine-tune the input sensitivity of the amplifier to the source unit's output level. The operating range is from MIN to MAX. This is NOT a volume control!

7. **Wired Bass Remote Jack**

Provides a wired remote control to the drivers seated location. The **Bass Remote** controls the amplifier's volume adjustment.

8. **RCA Input Jacks**

RCA Input jacks are for use with source units having RCA or low level output. Source units with an output signal level of minimum 200mV may be used. (See installation wiring diagram)

9. **Power Indicator**

The LED indicates the amplifier is functioning properly when the LED is lit.

10. **Protection Indicator**

The LED will light up red and will flash if there is a fault detected by the amplifier. Disconnect the sub-woofer. Check and fix the connections to resolve the fault condition.

11. **High Level Input**

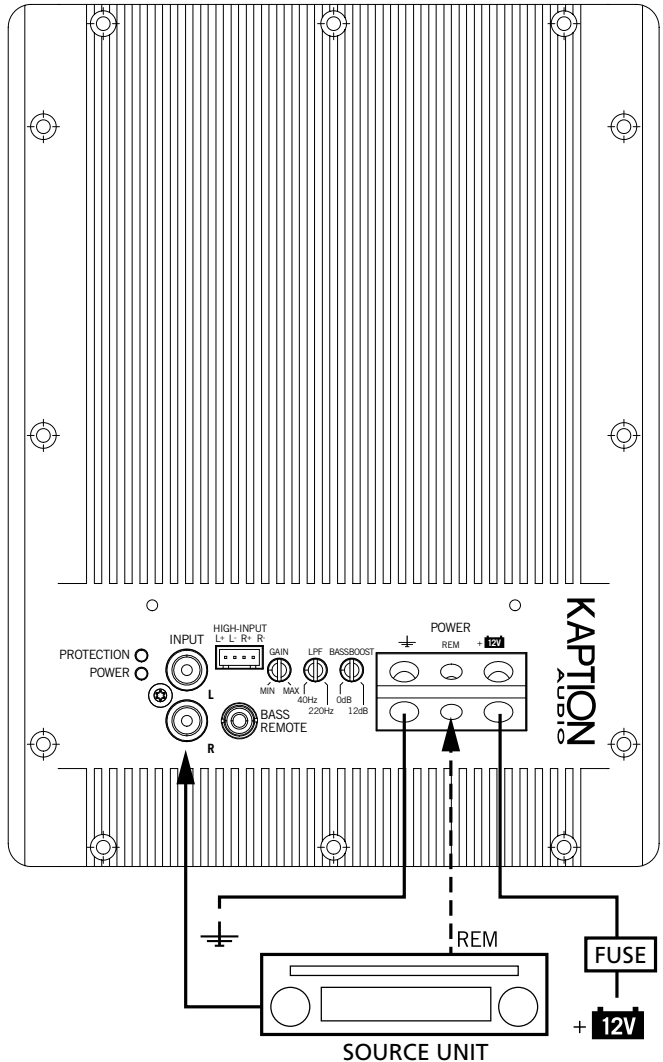
Amplifier can use high level input from the source units existing speakers or output if low level RCA jacks are not available on the source unit. (See installation wiring diagram). The SQLFW110PS power amplifier is equipped with current sensing so it will detect a signal from the vehicles source unit. Therefore the remote lead does not have to be wired to remote lead input on the amplifier.

Installation

1. **Input** - The amplifier can use either a low or high level signal from the source unit. **USE ONLY ONE TYPE OF INPUT** from the source unit to the amplifier terminals on the sub-woofer. Be sure to lay the signal wire away from all power cables and vehicle computers. Use high quality twisted pair interconnect cables to decrease the possibility of radiated noise entering the system.

- Using RCA Connections (low level input): if the source unit has RCA outputs, simply attach a signal cable from the source unit to the sub-woofer's amp RCA input. This will provide signal to the sub-woofer.

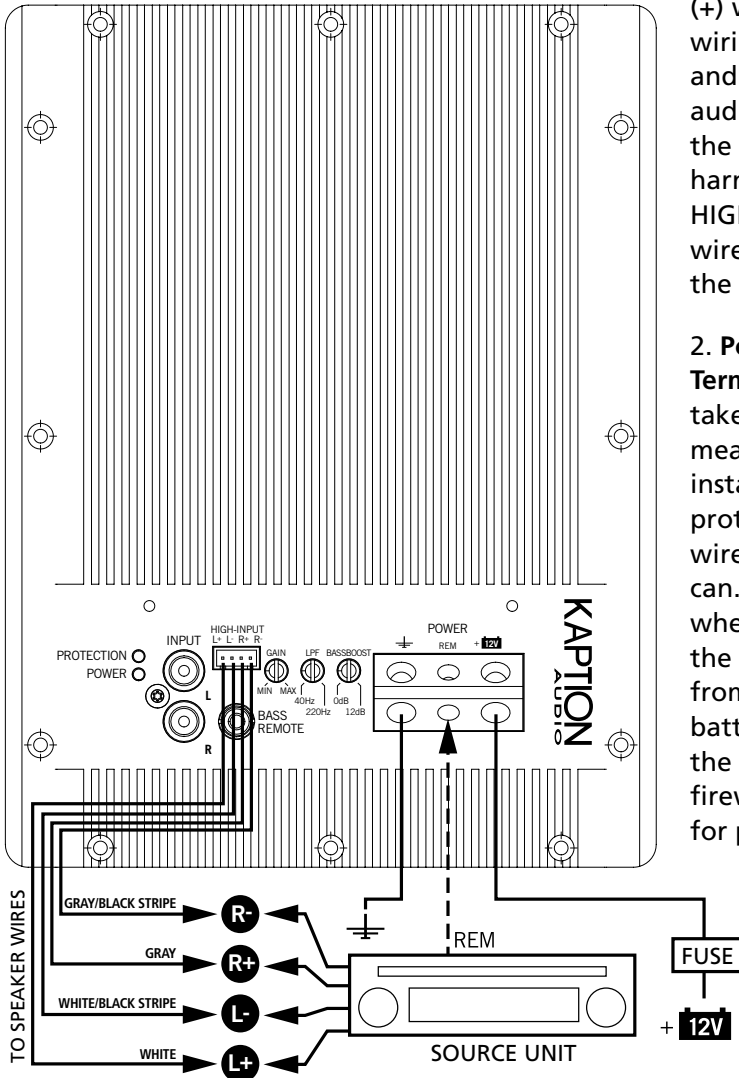
Low Level Input - wiring diagram



- Using Speaker Level Connections (high level input): use the high level output from the source unit and the HIGH LEVEL-IN wire harness supplied with the sub-woofer. Splice the source unit speaker wires to HIGH LEVEL-IN wire harness. (See table) Be sure to connect the car audio's system (+) wiring to the wiring harness and the (-) car audio system to the (-) wiring harness. Plug the HIGH LEVEL-IN wire harness into the amplifier.

SOURCE UNIT	HIGH LEVEL-IN WIRE HARNESS
LEFT (+)	L (+), WHITE WIRE
LEFT (-)	L (-), WHITE WIRE WITH BLACK STRIPE
RIGHT (+)	R (-), GRAY WIRE
RIGHT (-)	R (-), GRAY WIRE WITH BLACK STRIPE

High Level Input - wiring diagram



supplied with the sub-woofer. Splice the source unit speaker wires to HIGH LEVEL-IN wire harness. (See table) Be sure to connect the car audio's system (+) wiring to the wiring harness and the (-) car audio system to the (-) wiring harness. Plug the HIGH LEVEL-IN wire harness into the amplifier.

2. Power Terminals - Please take proper measures during installation to protect the power wires as best you can. For example, when running the power cable from the vehicle's battery through the firewall, use a firewall bushing for protection.

Run the power wire through the interior of the vehicle, under the carpet, and to the sub-woofer's amplifier. If this is something that you do not feel comfortable doing, please ask a professional to help you. Be sure to lay the power wire away from all signal cables.

- **+12V:** This is the main power input for the amplifier and must be connected directly to the positive terminal of the car battery for the amplifier to operate properly. It is important that a main fuse is installed a maximum of 18" from the battery.
- **GND:** This is the ground connection for the amplifier and must be connected directly to the metal chassis of the vehicle for the sub-woofer to operate properly. A properly grounded sub-woofer can be run harder and longer than a poorly grounded sub-woofer. The ground on the amplifier should be as short as possible and be connected directly to the vehicle's metal chassis. Do not connect to factory bolts of ANY kind. When attaching the ground to the chassis, sand all the paint away from the contact point. A grounding block like the Street Wires GT4 should be used whenever possible as this piece of equipment has 5 times the surface area of a normal screw.

The gauge of the power and ground wire is often an overlooked aspect of sub-woofer installation. The more power the sub-woofer receives, the more power it will produce. Power cables have a natural resistance, and will lose voltage by the time the power makes its way to the sub-woofer. The large gauge diameter wire will hold more voltage over longer runs. Also, by having a larger diameter ground wire, the sub-woofer can run more efficiently. It recommends using a minimum of 4 gauge power and ground cables to get the best performance.

- **REM:** This connection turns the sub-woofer on and off. **REM** connection is used based upon the amplifier input source (high level or low level) and if the source unit has current sensing technology.

Low level input: Use the **REM** connection if the amplifier is connected to the low level inputs (RCA). Connect the **REM** to the source unit's remote-turn-on output. If the source unit does not have a remote-turn-on circuit the amplifier can be connected to +12V using a switch powered from the ignition switched circuit.

High level input: Determine if the vehicle's source unit has current sensing technology. If the source unit does have current sensing technology then **REM** is not required to turn on the amplifier.

If the vehicle's source unit does not have current sensing technology while using the high level source input then connect the **REM** the same method as the low level input.

Double check all the previous connection installation steps, in particular the speaker and power wiring. Securely mount the powered sub-woofer. If everything is in order, reconnect the vehicle's negative battery connection and begin following the Feature Setup and Adjustments steps.

Troubleshooting Guide

PROBLEM	CAUSES AND SOLUTIONS
Power indicator is not lit	A. 12 volt wire fuse or sub-woofer fuse is blown and needs replacement
	B. Check remote turn on +12V and GND connections ensure the ground is secured to clean metal on the vehicle chassis.
	C. Source unit not functioning properly
Power indicator is lit / There is no Bass	A. Inputs are not properly connected or loose. Check and ensure connections are tight
	B. Incorrect sub-woofer level control setting – Check to see if the level is at minimum
Protection light is on	There could be a possible short in the speaker connections. Check for proper speaker connection and ensure there is no bare or uninsulated wire exposed.
	Use a volt /ohm meter to check for possible shorts in the speaker wiring.
	Check the impedance of speakers . If they are too low this may cause the amplifier protection light to come on.
Bass sound is distorted	A. Sub-woofer gain control is set too high
	B. Sub-woofer bass control knob is set too high
	C. Bass Level is set too high on head unit

Limited Warranty Information:

KAPTION AUDIO LOUDSPEAKERS COME WITH A ONE-YEAR PARTS AND LABOUR LIMITED WARRANTY.

This warranty covers the original purchaser of a Kaption Audio speaker, purchased from an authorized Kaption Audio dealer.

In order to receive service, proof of purchase is required stating the customers name, dealer name, product purchased and date of purchase.

Products found to be defective during the warranty period will be repaired or replaced with a product deemed to be equivalent at Kaption Audio's discretion.

What is not covered

1. Any product not purchased from an authorized Kaption Audio dealer.
2. Any expense related to the removal, re-installation or shipment of any Kaption Audio products.
3. Any Kaption Audio product that has been defaced or altered.
4. Subsequent damage to other components.
5. Damage caused by accident, abuse, improper installation, improper operation, water damage and theft.
6. Burnt voice coils due to amplifier clipping or distortion.
7. Repeated returns with the same damaged may be considered abuse.

How to obtain service

To obtain service on a Kaption Audio product; please return product along with original receipt to an authorized Kaption Audio dealer or call 416-525-2890.

Kaption Audio will not accept goods without an RMA number (return merchandise authorization).

KAPTION AUDIO

10" FLAT POWERED
SUB-WOOFER

570-SQLFW110PS

Warranty registration card



Name: _____

Street: _____

City: _____

Province / State: _____

Country: _____

Postal / Zip code: _____

Phone: _____

Email: _____

Model Number: _____

Serial Number: _____

Authorized

Kaption Audio dealer: _____

Purchase Date: _____

Limited Warranty Information:

KAPTION AUDIO PRODUCTS COME WITH A ONE-YEAR PARTS AND LABOUR LIMITED WARRANTY.

This warranty covers the original purchaser of a Kaption Audio product, purchased from an authorized Kaption Audio dealer. In order to receive service, proof of purchase is required stating the customers name, dealer name, product purchased and date of purchase. Products found to be defective during the warranty period will be repaired or replaced with a product deemed to be equivalent at Kaption Audio's discretion.

Kaption Audio
95 Cousins Drive, Aurora, Ontario, Canada, L4G 1B5

www.kaptionaudio.com

1-866-KAPTION (527-8466)

Kaption Audio
95 Cousins Drive,
Aurora, Ontario,
Canada, L4G 1B5

www.KAPTIONAUDIO.com
(416) 525-2890