

A

B

C

D

E

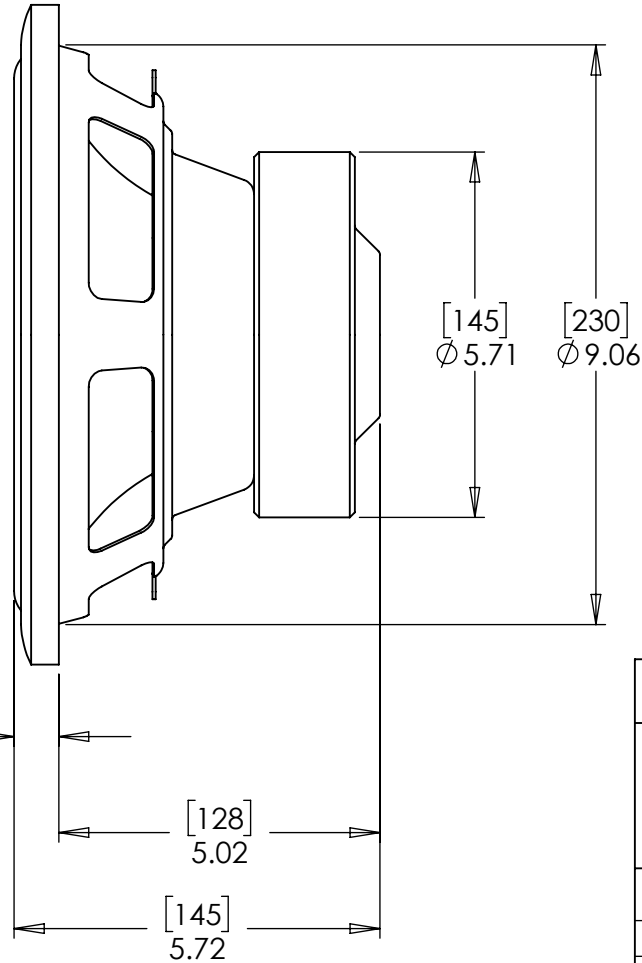
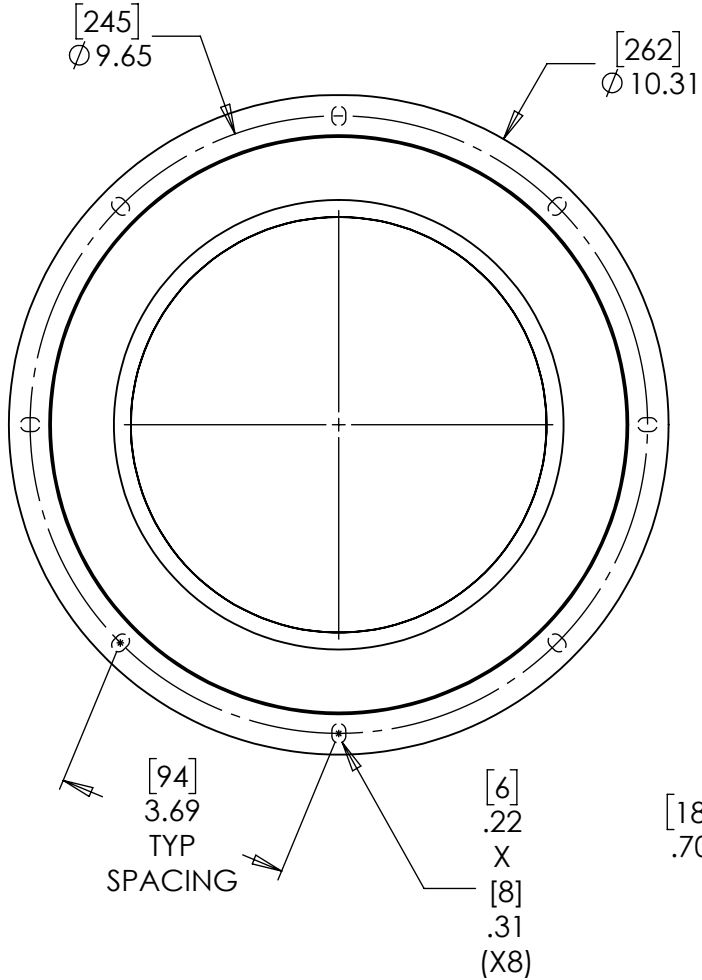
F

1

2

3

4



NOTES:

- 1. - ALL DIMENSIONS ARE IN INCHES [MILLIMETERS]
- 2. - MATERIAL: ALUMINUM / PLASTIC
- 3. - FINISH: BLACK

THE INFORMATION CONTAINED IN THIS DRAWING IS THE SOLE PROPERTY OF KAPTION AUDIO. ANY REPRODUCTION IN PART OR AS A WHOLE WITHOUT THE WRITTEN PERMISSION OF KAPTION AUDIO IS PROHIBITED.

KAPTION
AUDIO

KAPTION AUDIO
KAPTIONAUDIO.COM
866-527-8466

PART NAME		10" SRX SERIES WOOFER	
MATERIAL		ALUMINUM / PLASTIC	
DRAWING NO.		570-SRX10-CUST	
DATE	11/2/2016	SCALE	1:3
THIRD ANGLE PROJECTION DRAWING		REVISION NO.	
ALL DIMENSIONS WITHOUT TOLERANCES ARE REFERENCE		A	
SPECIFICATION SUBJECT TO CHANGE WITHOUT NOTICE			

A

B

C

D

E

F